



**ONDA**  
OS SERIES

THE EFFICIENT AND COMFORTABLE WHEELCHAIR  
LIFT WITH HORIZONTAL FOLDING PLATFORM



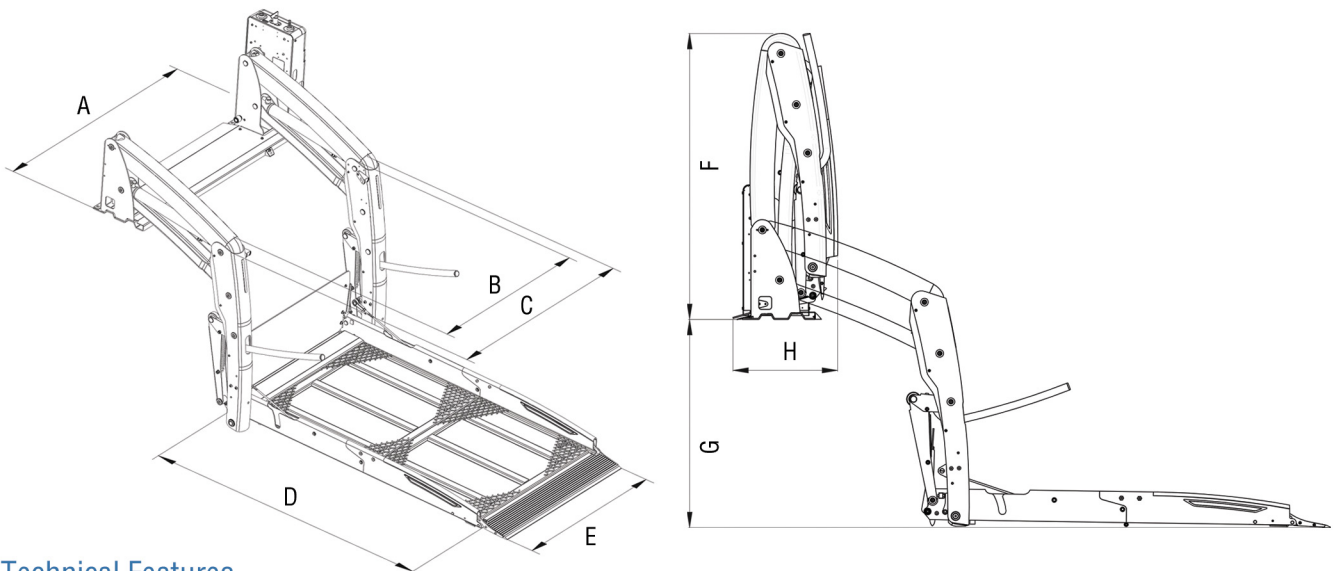
## ONDA OS Series

The Autolift solution to stow a large platform in a low roof vehicle, providing a good rear visibility

- Efficiency** Consuming 30% less energy than competing systems, ONDA is the most efficient lift available.
- Stability** ONDA's patented unique structure is stiffer than competing systems providing the customer with stability.
- Design** In addition to providing best in class aesthetic design, ONDA's design provides a more space efficient structure.
- Comfort** Onda achieves unrivalled comfort when equipped with its optional platform lighting system and the lowering speed control which dramatically reduces start-up accelerations.

### OS SPECIFICATIONS

- Horizontally folding platform
- Powder Coating
- Two-buttons control unit
- Reduced base plate height
- Automatic roll-Stop plate
- Automatic bridging plate
- Auxiliary Pump and lowering
- Automatic Extendible handrails
- EMC tested
- EC Standards compliant
- Crash tested
- Weather Conditions Tested



### Technical Features

	Stationary lift width		Clear entry width		Traveling frame lift		Clear platform length		Clear platform width		Overall lift height	Max loading height	Overall lift depth	Rated load capacity (Kg)	Lift weight (Kg)
	A	B	C	D	E	F	G	H							
OS 1150	1076	772	957	1130	752	1107	796	337	400	122					
OS 1395	1180	876	1061	1380	856	1107	796	337	400	149					
OS 1495	1180	876	1061	1480	856	1107	796	340	400	155					
OS 1500	1270	966	1151	1480	946	1107	796	340	400	160					

AUTOLIFT S.r.l.

Via B. Trentin, 8 - 46020 Pegognaga (MN)

Tel. +39 0376 550375 - Fax +39 0376 553728 - E-mail info@autoliftsrl.com

[www.autoliftsrl.com](http://www.autoliftsrl.com)